



Ax1



Bx1



Cx1



Dx1



Ex3



Fx1



Gx4
M6



Hx4
M4



Ix2



Jx3



Kx3



M5

Lx1



M4

Mx1



M6

Nx6



M3 x 20 mm

Ox3



M4 x 20 mm

Px3



M5 x 20 mm

Qx3



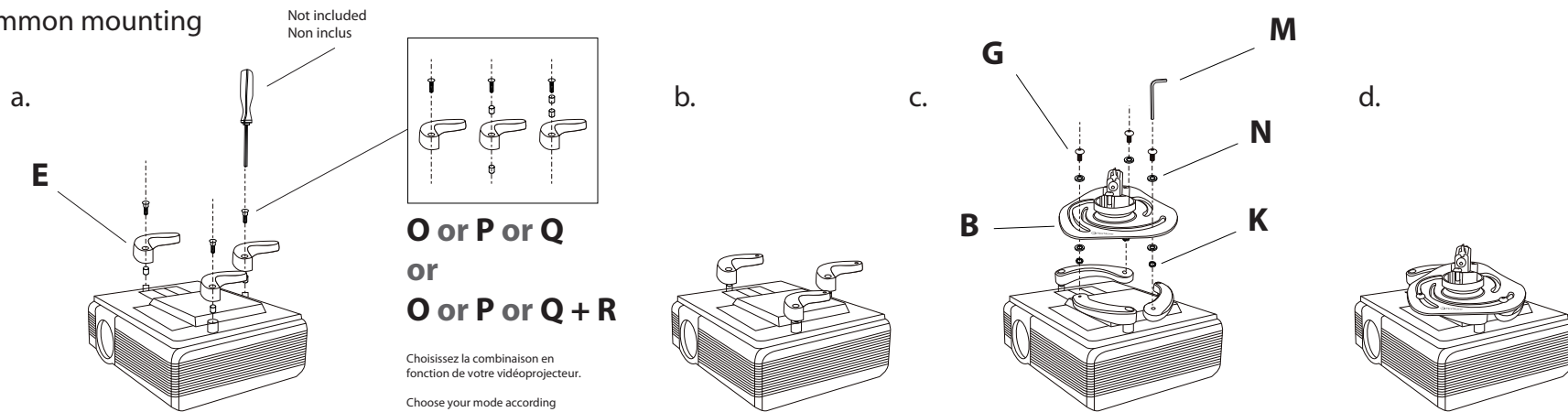
ø 8 x 6 mm

Rx6

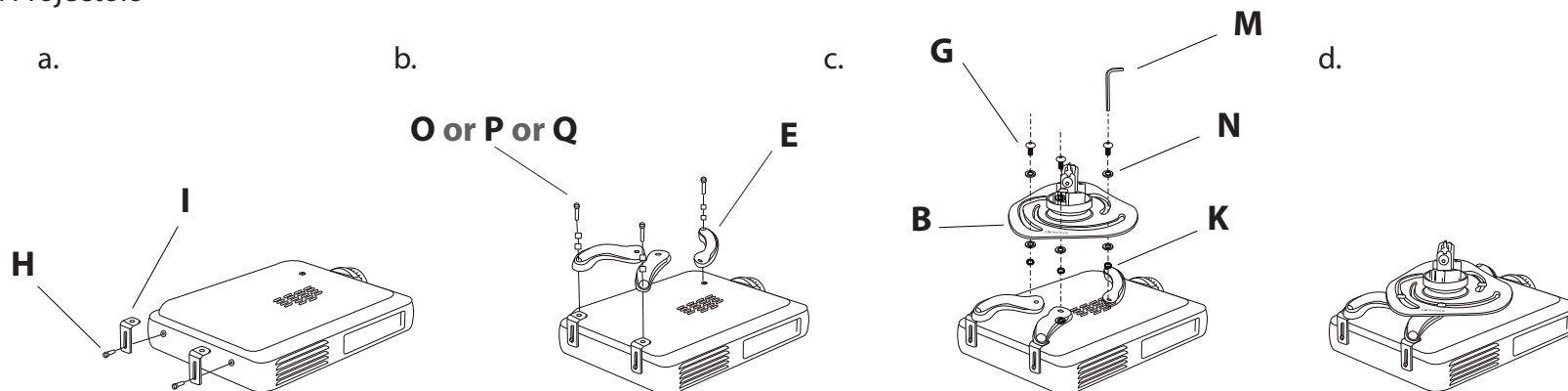


Sx1

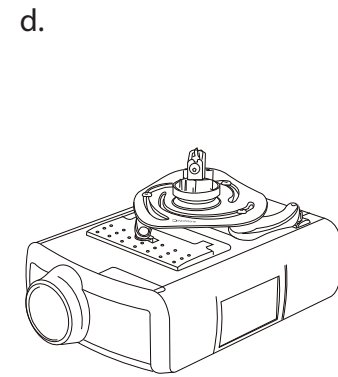
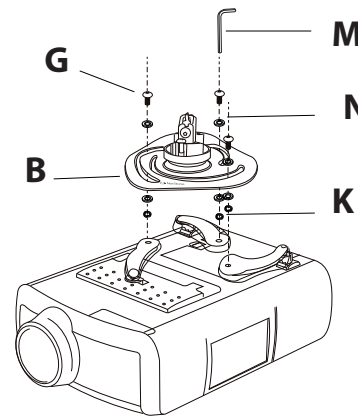
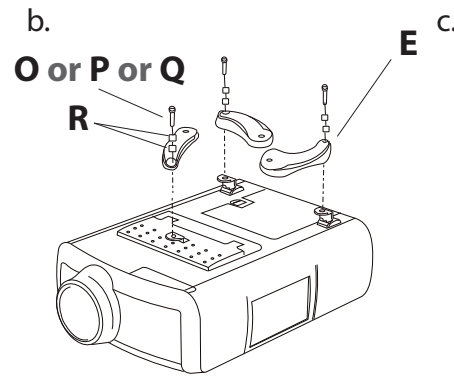
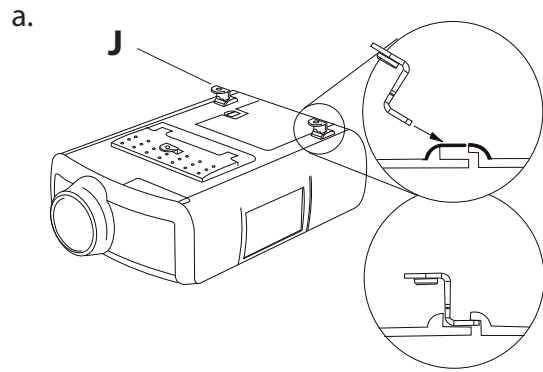
1 A - Common mounting



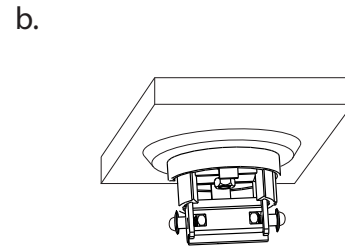
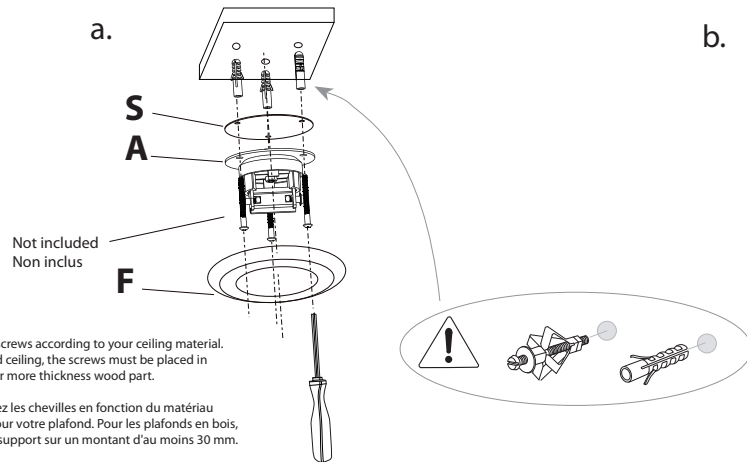
B - Toshiba Projectors



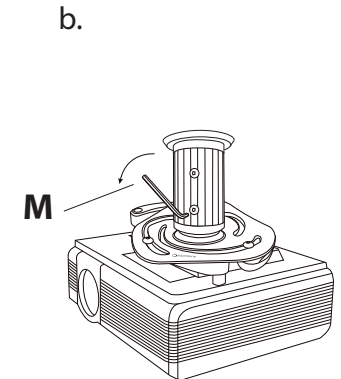
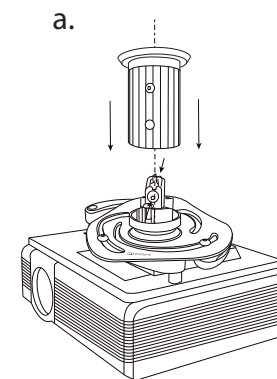
C - Philips Projectors



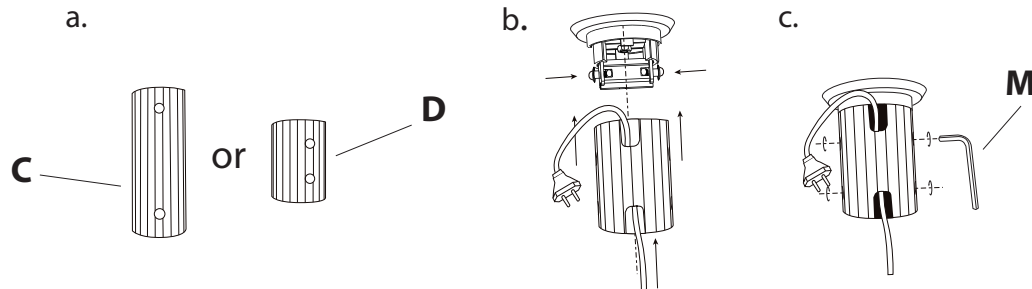
2



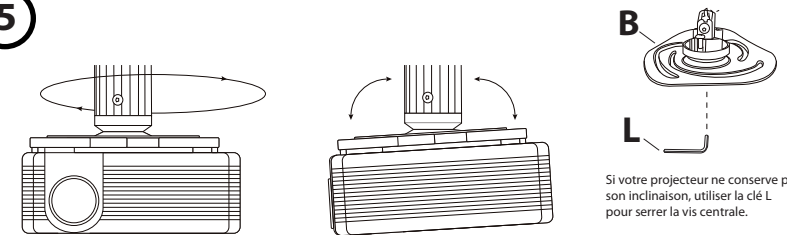
4



3



5



Si votre projecteur ne conserve pas
son inclinaison, utiliser la clé L
pour serrer la vis centrale.

If your projector does not keep
your setting, use L key to tighten
the screw.