



**Ax1**



**Bx1**



**Cx1**



**Dx1**



**Ex1**



M4x14mm  
**F1x4**



M4x30mm  
**G1x4**



M5x14mm  
**F2x4**



M5x30mm  
**G2x4**



M6x14mm  
**F3x4**



M6x30mm  
**G3x4**



M8x14mm  
**F4x4**



M8x30mm  
**G4x4**



12x5,5mm  
**H1x4**



16x8,2mm  
**H2x4**

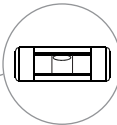
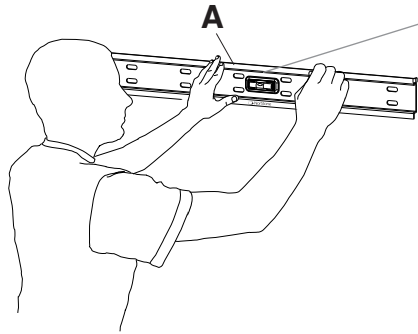


**I1x4**

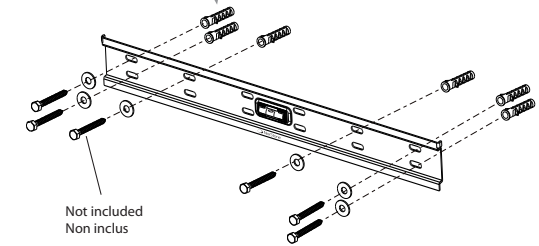
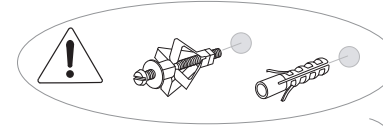
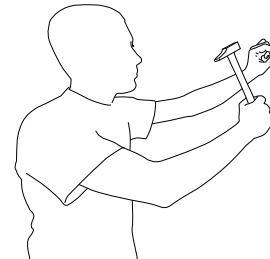
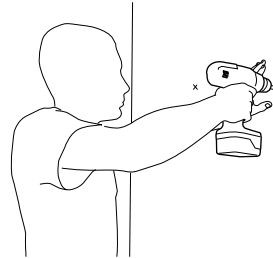


**I2x4**

**1**

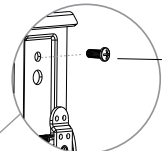
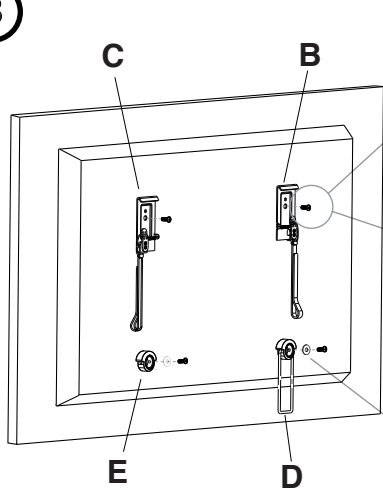


**2**



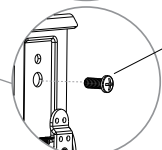
Choose screws according to your wall material. For wood walls, the screws must be placed in 30 mm or more thickness wood part.  
Choisissez les chevilles en fonction du matériau utilisé pour le mur. Pour les cloisons en bois, visser le support sur un montant d'au moins 30 mm.

**3**

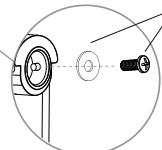


**F1 x2 or F2 x2**

or



**F3 x2 or F4 x2**

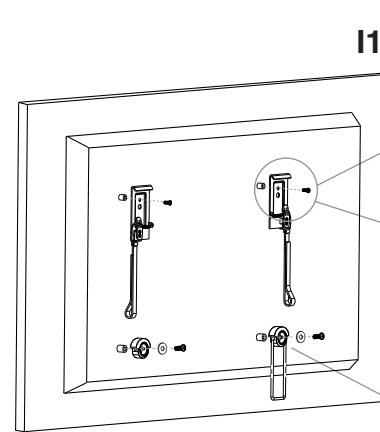


**H1 x1 + F1 x2 or F2 x2**

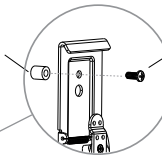
or

**H2 x1 + F3 x2 or F4 x2**

or

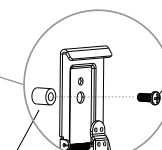


**I1x2**



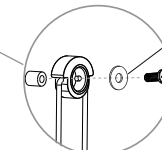
**G1 x2 or G2 x2**

or



**G3 x2 or G4 x2**

**I2 x2**



**I1 x2 + H1 x2**

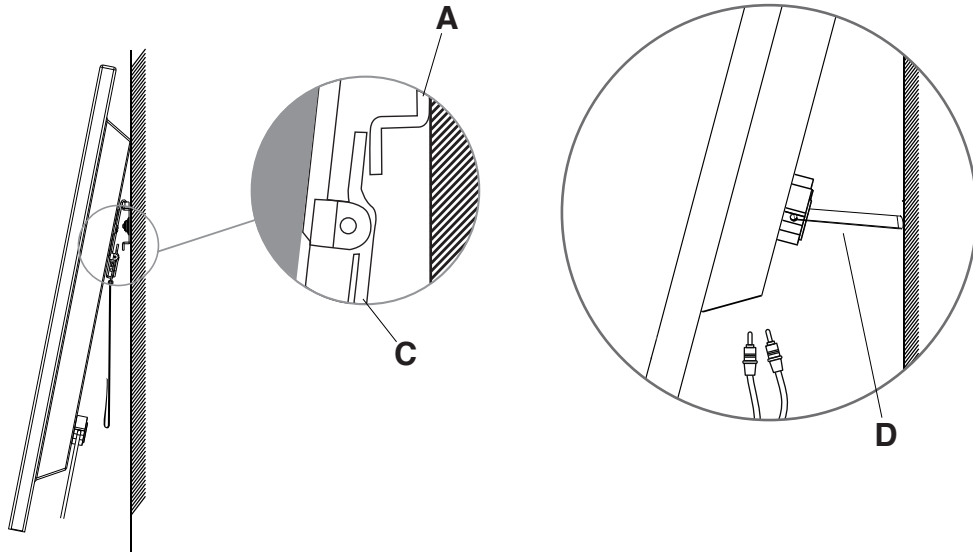
**+ G1 x2 or G2 x2**

or

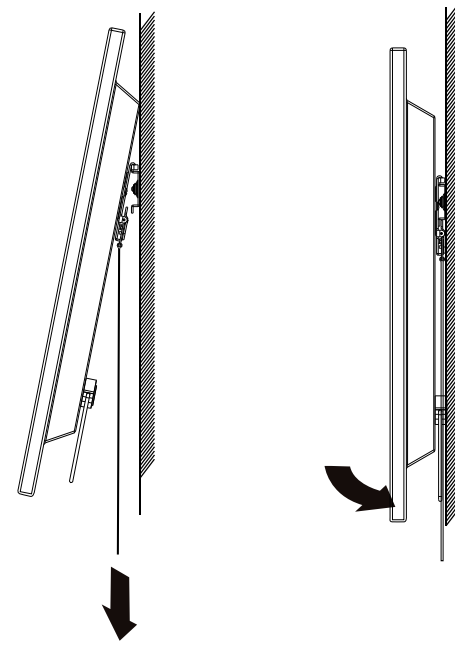
**I2 x2 + H2 x2**

**+ G3 x2 or G4 x2**

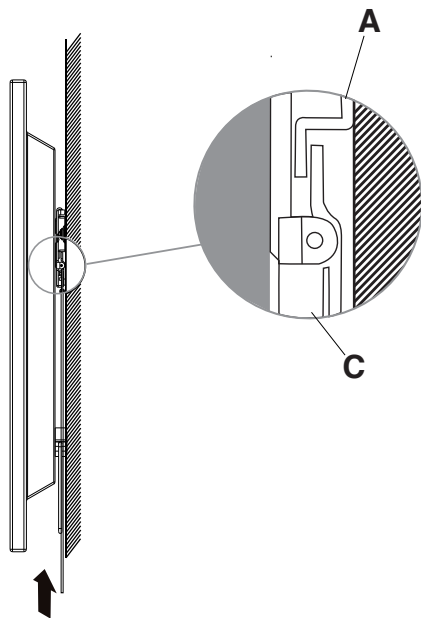
④



⑤



⑥



⑦

