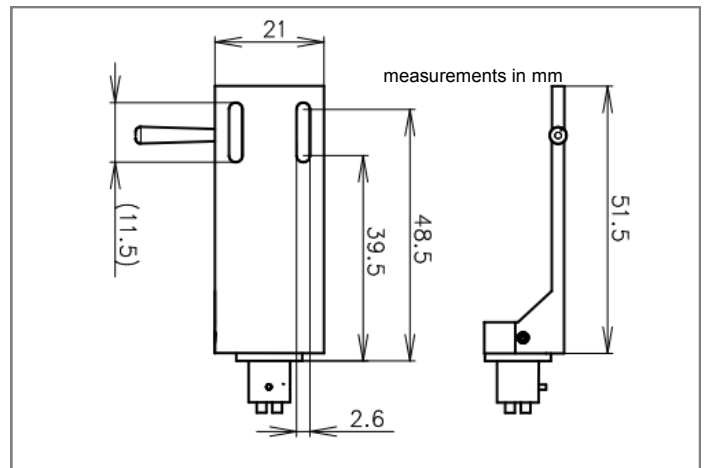



Signature Headshells


Cartridge mounting with SME standard connection

- Fits all tonearms with SME mounting standard
- 1/2 inch cartridge mount
- 3 different headshell materials: Alu, Carbon, Beechwood
- High conductivity OFC headshell cables included
- High rigidity & low mass
- Low resonance construction
- Non magnetic
- Azimuth adjustment with screw on side
- Built-in fingerlift


- **Aluminium**
- Colour coded cables
- Weight 12g

Headshell Signature alu
SRP
125,00 €



- **Carbon**
- Colour coded cables
- Weight 10g

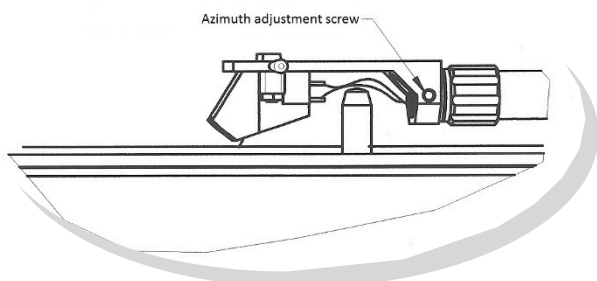
Headshell Signature carbon
SRP
99,00 €



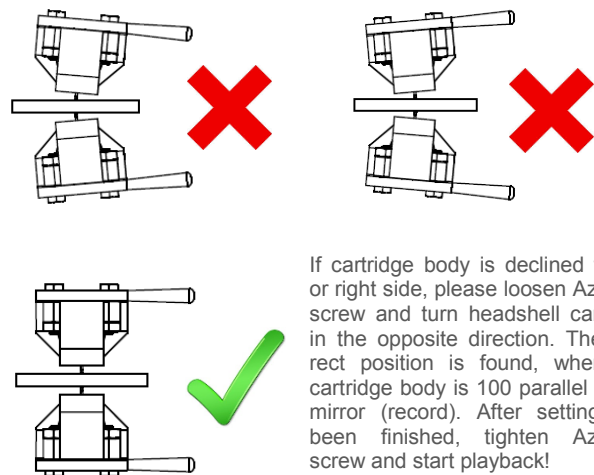
- **Oak**
- Colour coded cables
- Weight 8g

Headshell Signature wood
SRP
99,00 €

Adjusting the azimuth:



Having a correct azimuth setting maximises playback quality. Using the mirror from alignment tool „Align it“ helps to find a correct setting - see following graphics:



If cartridge body is declined to left or right side, please loosen Azimuth screw and turn headshell carefully in the opposite direction. The correct position is found, when the cartridge body is 100 parallel to the mirror (record). After setting has been finished, tighten Azimuth screw and start playback!