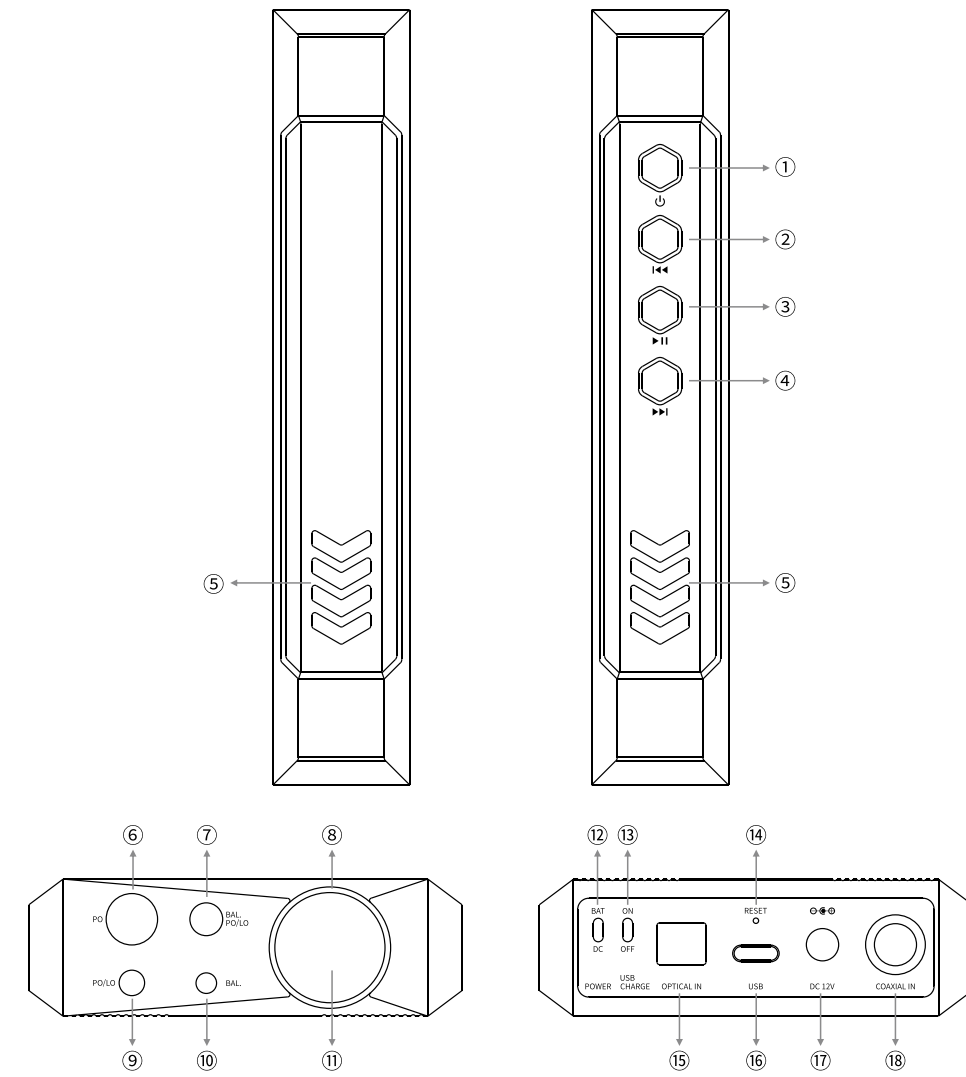


Buttons and Ports Labeled (Pictures are for reference only. The actual product may vary.)

① Power/Lock button	② Previous track	③ Play/Pause
④ Next track	⑤ Side ambient light	⑥ 6.35mm headphone out
⑦ 4.4mm BAL headphone out/line out	⑧ Volume knob indicator light	⑨ 3.5mm headphone out/line out
⑩ 2.5mm BAL headphone out	⑪ Volume knob/button	⑫ BAT/DC switch
⑬ USB charge switch	⑭ Reset hole	⑮ Optical input port
⑯ USB port	⑰ DC power port	⑱ Coaxial input port

Turn on/off

When the Q7 is off, long press the Power/Lock button to turn it on. When it is on, long press the Power/Lock button to turn it off. When it is on, short press the Power/Lock button to lock the screen or wake up the device.

Charging

The Q7 supports PD quick charge and charging by an ordinary 5V power supply through the USB port. In addition, it supports charging by connecting to a 12V DC power adapter through the DC port. When charging, please toggle the BAT/DC switch to BAT and the USB charge switch to ON. Then, insert a USB cable or DC power supply to charge the Q7.

Instructions for the Volume Knob

- Working mode switching:** On the homepage, short press the volume knob to enter the working mode menu. Rotate the volume knob to successively switch between USB/OPTICAL/COAXIAL/BLUETOOTH modes. Choose the targeted mode and short press the volume knob for confirmation. Long press the volume knob to return to the homepage.
- Menu setting:** On the homepage, long press the volume knob to call up the settings menu. Rotate the volume knob to switch between different settings and short press the knob for confirmation. On the settings menu, long press the volume knob for about 2s to return to the previous page.
- Volume adjusting:** On the homepage, rotate the volume knob to turn the volume up and down.

Working Modes

The Q7 has 4 working modes.

- USB:** USB decoding, connect to mobile phones or computers for decoding; (Note: You would need to install the USB DAC driver when connecting the Q7 to a Windows computer for USB decoding. Please download the USB DAC driver on our website-https://www.fiiio.com/Driver_Download, and follow relevant instructions to install it. For macOS systems, it runs driver-free.)
- OPTICAL:** Optical decoding, connect to devices with an optical output;
- COAXIAL:** Coaxial decoding, connect to devices with a coaxial output;
- BLUETOOTH:** Bluetooth decoding, connect to devices that support Bluetooth output. (Note: The Bluetooth mode of the Q7 only supports audio playback, but not voice calls.)

When switched to the Bluetooth receiving mode for the first time, the Q7 will automatically enter the pairing state. At this time, the screen of the Q7 will display "Pairing...". In later uses when entering the Bluetooth receiving mode, the Q7 will automatically reconnect to the last-connected device.

In Bluetooth decoding mode, the button functions are as follows:

Force into pairing mode: Long press the Play/Pause button for about 3s;

Manual reconnect: Short press the Play/Pause button when the device is disconnected;

Clear pairing: Long press the Previous track+Next track buttons for about 3s at the same time;

Play/Pause: Short press the Play/Pause button;

Previous track/Next track: Short press the Previous track/Next track button.

Notes and Precautions

- ★Please do not repair or disassemble the product on your own and do not put it near water.
- ★Please charge the battery on a regular basis to secure the battery life if this product has not been used for a long time.
- ★You might not be able to hear the sound of the surroundings when using headphones. For your safety, please avoid using headphones in dangerous situations.

- ★It is recommended to use a suitable charger in case of a high-voltage adapter causing damage to the device.
- ★In the likely event that the Q7 hangs up, please try to use an ejector pin to short press the bottom reset hole to force a reboot.

List of Items Included (please check if the following items are included)

- Q7
- Tempered glass screen protector (pre-applied at the factory)
- Power adapter
- AC power cable
- Type-C to Type-C data cable (long)
- Quick start guide
- Warranty card
- Leatherette case (pre-installed at the factory)
- Heat dissipation fan
- USB power cable (for the heat dissipation fan)
- USB adapter
- Type-C to Type-C data cable (short)
- Lightning to Type-C decoding cable

To Learn More

To learn more about the product, please visit our website:

www.fiiio.com

For related product service, please visit

<https://www.fiiio.com/supports>




Q7 FAQ



fiiio.com

WEEE Directive & Product Disposal

 At the end of its serviceable life, this product should not be handed as household or general waste. It should be handed over to the applicable collection point for the recycling of electrical and

electronic equipment, or returned to the supplier for disposal.

Internal/Supplied Batteries:

This symbol on the battery indicates that the battery is to be collected separately. This battery is designed for separate collection at an appropriate collection point.

Qualcomm is a trademark of Qualcomm Incorporated, registered in the United States and other countries. aptX is a trademark of Qualcomm Technologies International Ltd., registered in the United States and other countries.



Hereby, Guangzhou FiiO Electronics Technology Co., Ltd declares that this device is in compliance with Directive 2014/53/EU. The full text of the EU declaration of conformity is available at: www.fiiio.com/doc

Function	Frequency	Maximum output power
Bluetooth	2402-2480MHz	<8dBm

**FCC STATEMENT**

1. This device complies with Part 15 of the FCC Rules. Operation is subject to the following two conditions:

(1) This device must accept any interference received, including interference that may cause undesired operation.

(2) Changes or modifications not expressly approved by the party responsible for compliance could void the user's authority to operate the equipment.

2. Changes or modifications not expressly approved by the party responsible for compliance could void the user's authority to operate the equipment.