

PX728-4K PX748-4K

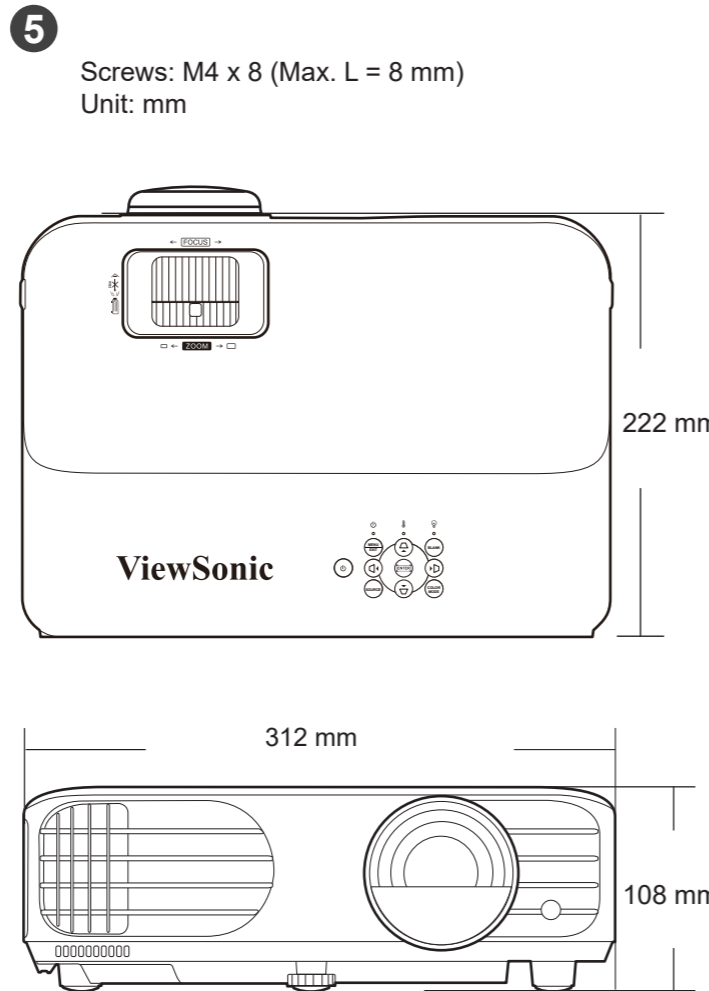
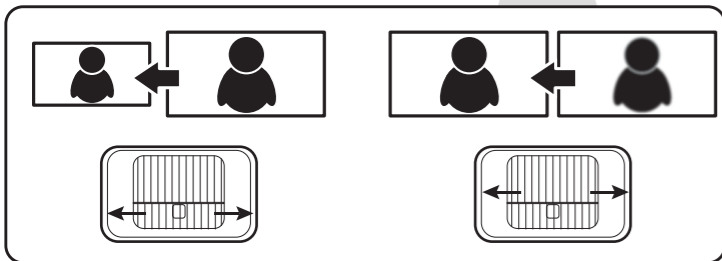
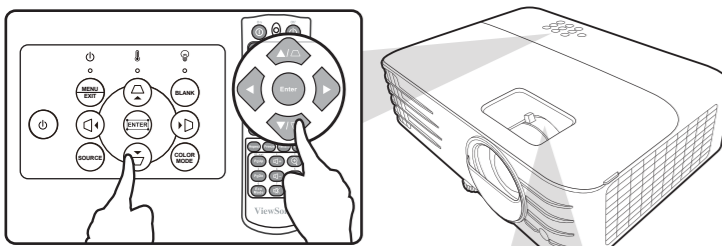
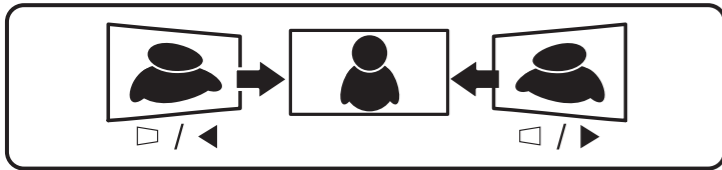
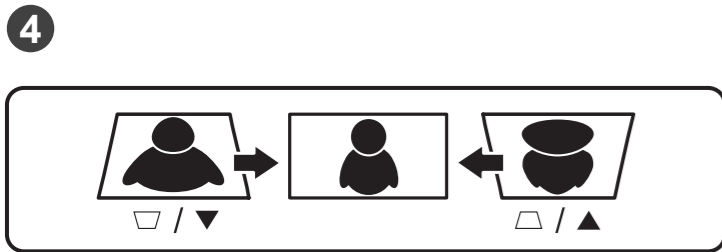
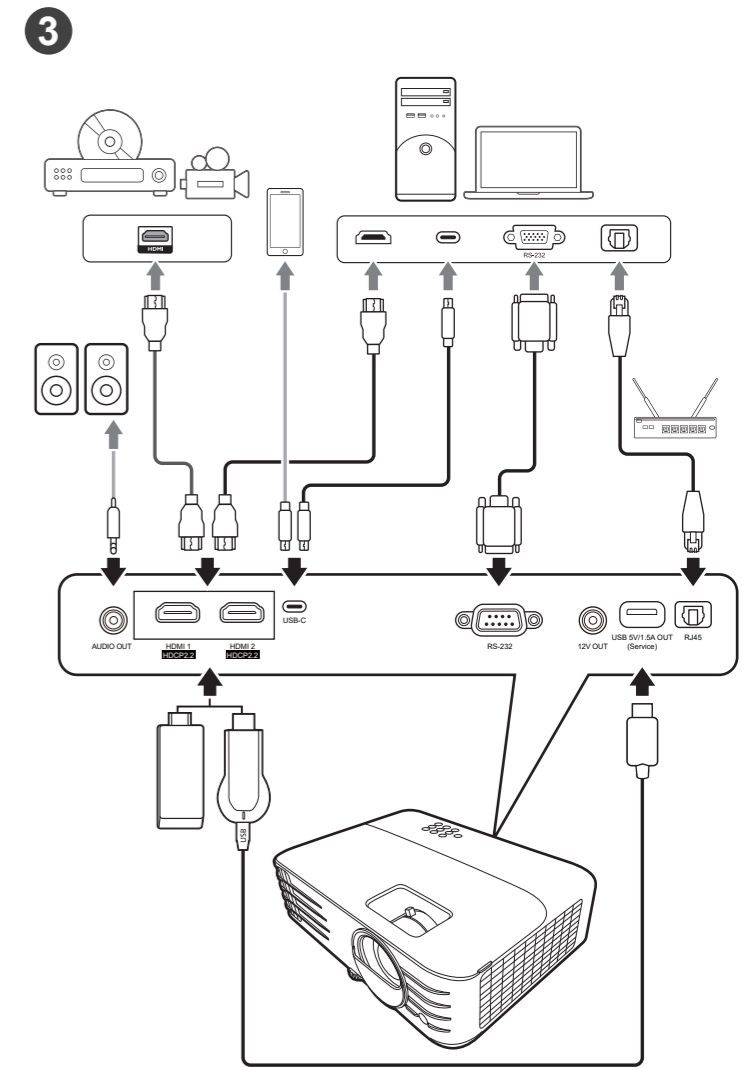
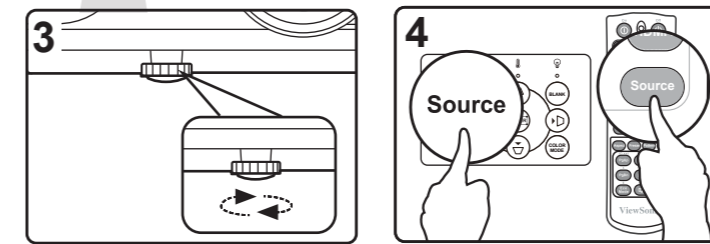
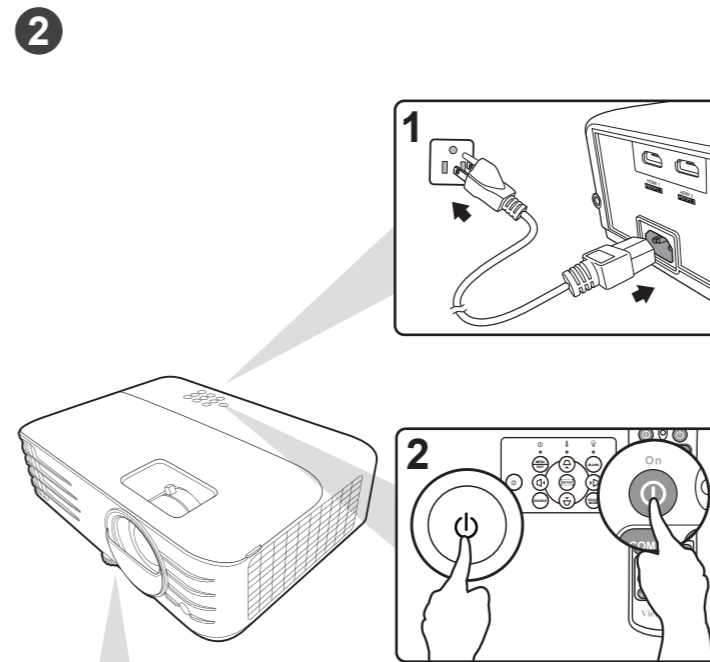
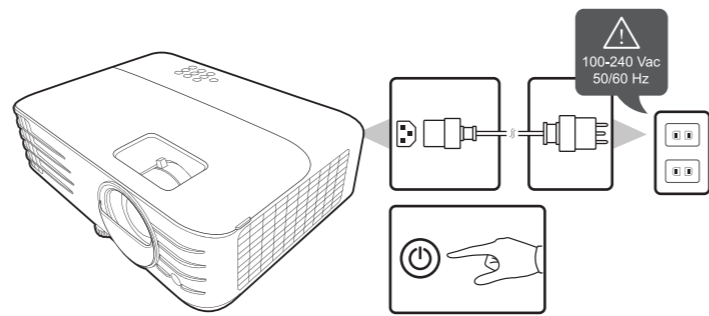
Home Projector

Quick Start Guide

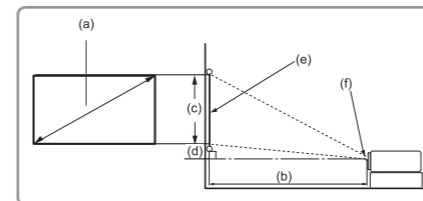
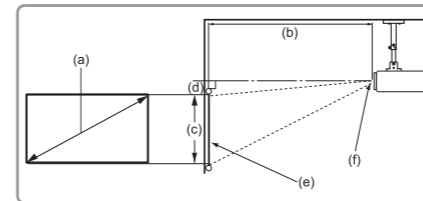
快速安装说明
快速入門指南
빠른 시작 가이드
クイックスタートガイド
Ръководство за бърз старт
Vodič za brzo pokretanje
Úvodní příručka
Aan de slag
Pika-aloitusopas
Guide de démarrage rapide
Schnellstarthandbuch
Οδηγός γρήγορης εκκίνησης
Első lépések
Guida introduttiva

Przewodnik Szybki start

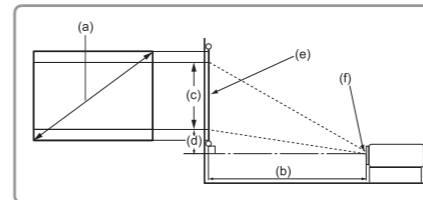
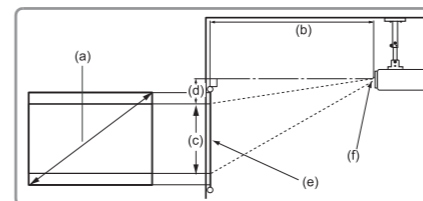
Guia de Início Rápido
Ghid de pornire rapidă
краткое руководство по началу работы
Vodič za brzi početak
Priručka so stručným návodom
Vodnik za hitri začetek
Guía de inicio rápido
Snabbstartsguide
Hızlı Başlangıç Kılavuzu
короткий посібник користувача
Panduan Mulai Cepat
دليل البدء السريع



• 16:9 image on a 16:9 screen



• 16:9 image on a 4:3 screen



16:9 image on a 16:9 Screen											
(a) Screen Size	(b) Projection distance				(c) Image height		(d) Vertical offset				
	min.		max.		height		min.		max.		
inch	mm	inch	mm	inch	mm	inch	mm	inch	mm	inch	mm
60	1524	59	1497	77	1946	29	747	35	897	35.3	897
70	1778	69	1746	89	2270	34	872	41	1046	41.2	1046
80	2032	79	1996	102	2595	39	996	47	1195	47.1	1195
90	2286	88	2245	115	2919	44	1121	53	1345	52.9	1345
100	2540	98	2495	128	3243	49	1245	59	1494	58.8	1494
110	2794	108	2744	140	3567	54	1370	65	1644	64.7	1644
120	3048	118	2994	153	3892	59	1494	71	1793	70.6	1793
130	3302	128	3243	166	4216	64	1619	76	1943	76.5	1943
140	3556	138	3493	179	4540	69	1743	82	2092	82.4	2092
150	3810	147	3742	192	4865	74	1868	88	2241	88.2	2241
160	4064	157	3992	204	5189	78	1992	94	2391	94.1	2391
170	4318	167	4241	217	5513	83	2117	100	2540	100.0	2540
180	4572	177	4491	230	5838	88	2241	106	2690	105.9	2690
190	4826	187	4740	243	6162	93	2366	112	2839	111.8	2839
200	5080	196	4989	255	6486	98	2491	118	2989	117.7	2989

16:9 image on a 4:3 Screen											
(a) Screen Size	(b) Projection distance				(c) Image height		(d) Vertical offset				
	min.		max.		height		min.		max.		
inch	mm	inch	mm	inch	mm	inch	mm	inch	mm	inch	mm
60	1524	54	1374	70	1786	27	686	32	823	32	823
70	1778	63	1603	82	2084	32	800	38	960	38	960
80	2032	72	1832	94	2381	36	914	43	1097	43	1097
90	2286	81	2061	105	2679	41	1029	49	1234	49	1234
100	2540	90	2290	117	2977	45	1143	54	1372	54	1372
110	2794	99	2519	129	3275	50	1257	59	1509	59	1509
120	3048	108	2748	141	3572	54	1372	65	1646	65	1646
130	3302	117	2977	152	3870	59	1486	70	1783	70	1783
140	3556	126	3206	164	4168	63	1600	76	1920	76	1920
150	3810	135	3435	176	4465	68	1715	81	2057	81	2057
160	4064	144	3664	188	4763	72	1829	86	2195	86	2195
170	4318	153	3893	199	5061	77	1943	92	2332	92	2332
180	4572	162	4122	211	5358	81	2057	97	2469	97	2469
190	4826	171	4351	223	5656	86	2172	103	2606	103	2606
200	5080	180	4580	234	5954	90	2286	108	2743	108	2743

There is 3% tolerance among these numbers due to optical component variations. It is recommended that if you intend to permanently install the projector, you should physically test the projection size and distance using the actual projector in situ before you permanently install it, so as to make allowance for this projector's optical characteristics. This will help you determine the exact mounting position so that it best suits your installation location.

